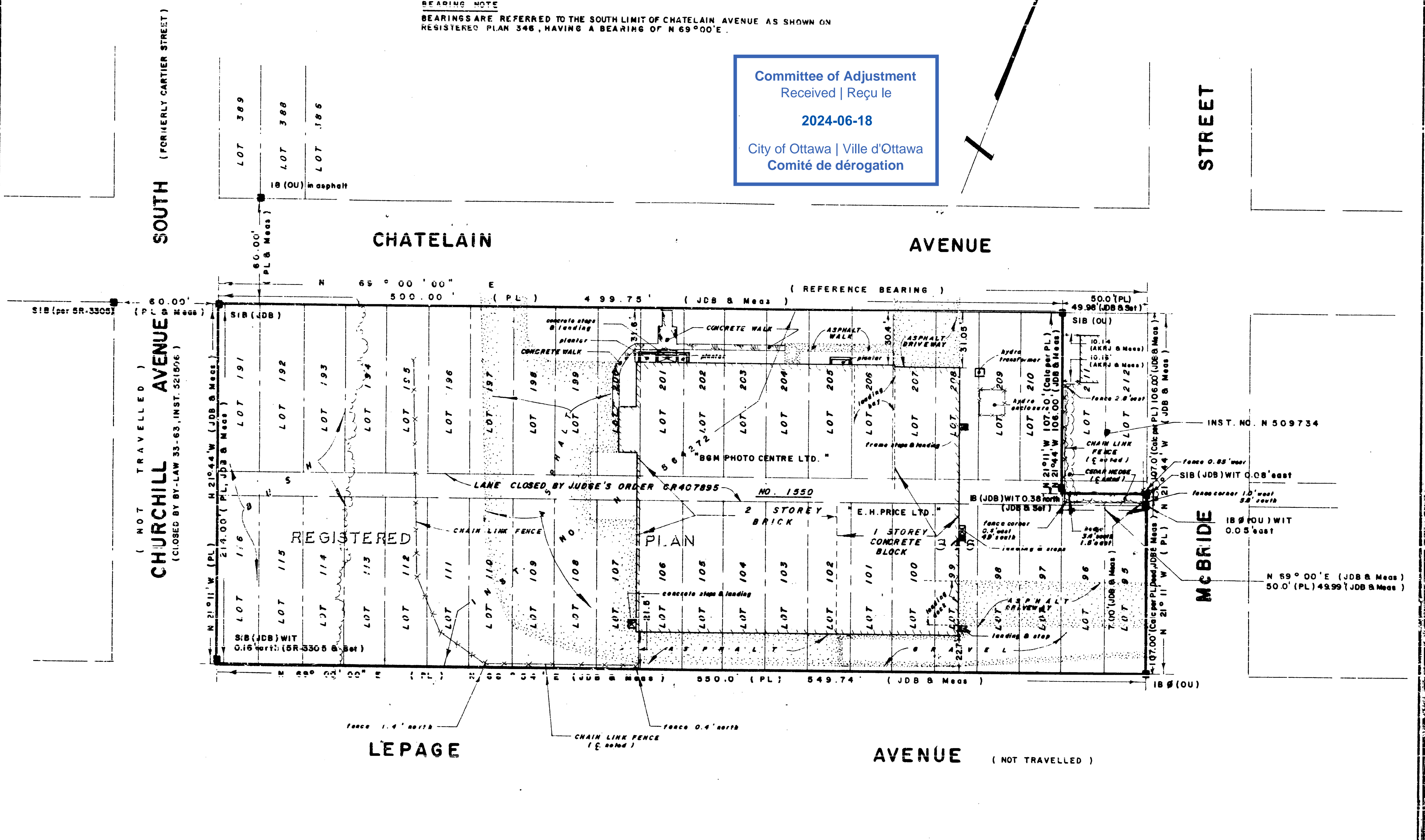


© Copyright 1992 Webster & Simmonds  
 The reproduction, alteration or use of  
 this REPORT in whole or in part,  
 without the express permission of  
 Webster & Simmonds Surveying Ltd  
 is STRICTLY PROHIBITED.

G-4

**BEARING NOTE**  
 BEARINGS ARE REFERRED TO THE SOUTH LIMIT OF CHATELAIN AVENUE AS SHOWN ON  
 REGISTERED PLAN 346, HAVING A BEARING OF N 69° 00' E.

Committee of Adjustment  
 Received | Reçu le  
 2024-06-18  
 City of Ottawa | Ville d'Ottawa  
 Comité de dérogation



**SURVEYOR'S REAL PROPERTY REPORT**  
 PART 1 )) **BUILDING LOCATION SURVEY**  
**LOTS 95 to 116, 191 to 212 (inclusive) and Part of 14' LANE**  
**REGISTERED PLAN 346**  
**CITY OF OTTAWA**  
**REGIONAL MUNICIPALITY OF OTTAWA - CARLETON**

**Report Summary** Filed: "P" MISC. Date: AUG. 6 / 92  
 PART 2 )) This Report was prepared for Properties Group and the undersigned accepts no responsibility for use by other parties.  
**LEGEND (if applicable)**  
 AKRJ DENOTES Armit/Benedy, Riddell & Jones O.L.S.'s  
 JDB DENOTES J. D. BARNES O.L.S.  
 PL DENOTES REGISTERED PLAN NO. 346  
 WT DENOTES WITNESS  
 OU DENOTES CURB UNKNOWN  
 WJW DENOTES W. J. WEBSTER, O.L.S.  
 PROP DENOTES PROPORTION  
 (1319)WAS DENOTES WEBSTER & SIMMONDS SURVEYING LTD.

**NOTE:**  
 This REPORT can be updated only by this office, however NO ADDITIONAL PRINTS of this ORIGINAL REPORT will be issued subsequent to the DATE of CERTIFICATION.

**SURVEYOR'S CERTIFICATE**  
 I CERTIFY THAT:  
 The field survey represented in this Report was completed on the 31 day of August, 1992.  
 Date: Aug 31, 1992  
 W. J. Webster  
 Ontario Land Surveyor

(No. For Registration Purpose)  
 FROM THE OFFICE OF  
**WEBSTER & SIMMONDS SURVEYING LTD.**  
 Ontario Land Surveyors  
 GLOUCESTER, ONTARIO

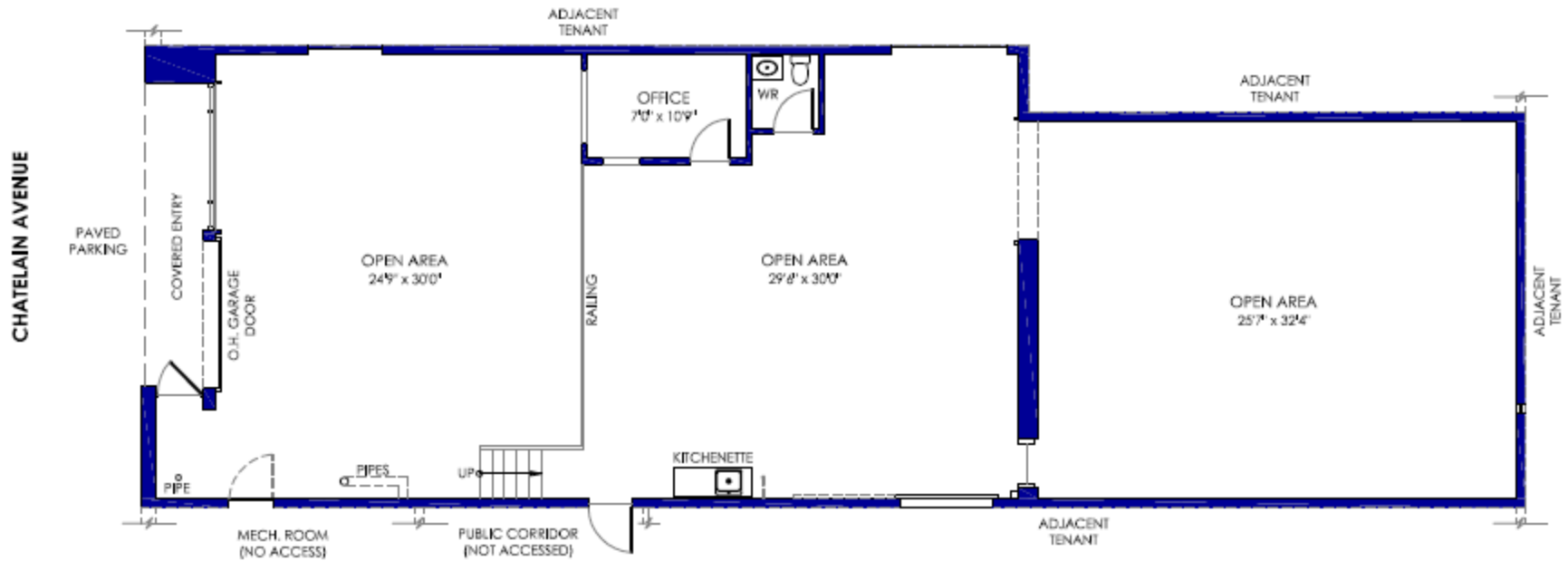
SCALE 1" = 40' FIELD WORK B.M. DRAWN BY C.T. CHECKED BY K.J. REF. NO. 31-346 c.

Committee of Adjustment  
Received | Reçu le

2024-06-18

City of Ottawa | Ville d'Ottawa  
Comité de dérogation

Ceiling Height-  
Ranges from 8.11 ft to 13.5 ft





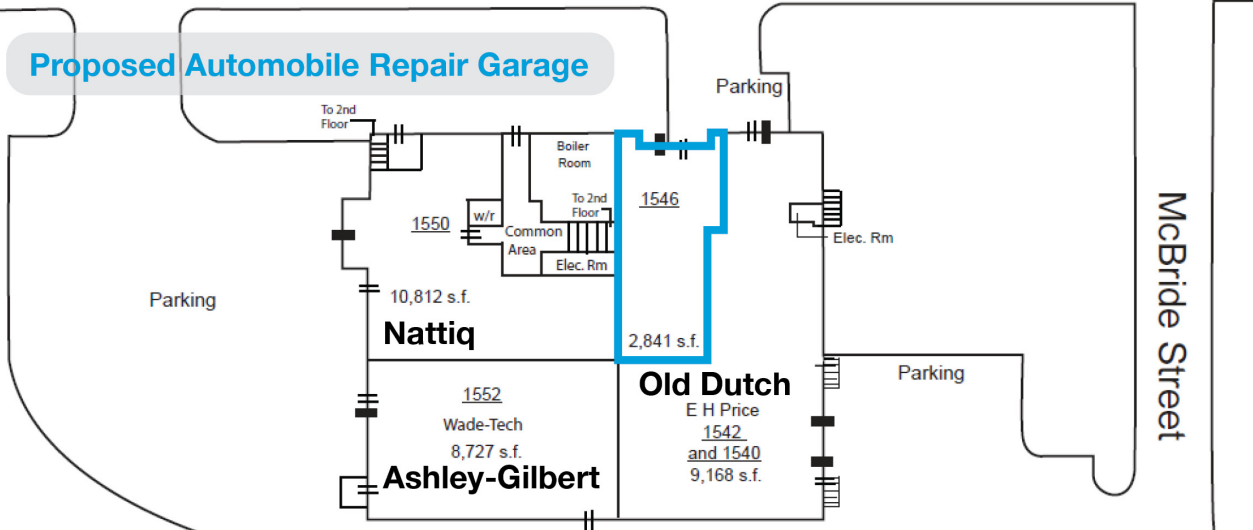
Committee of Adjustment  
Received | Reçu le

2024-06-20

City of Ottawa | Ville d'Ottawa  
Comité de dérogation

Chatelain Avenue

**Proposed Automobile Repair Garage**



McBride Street

# Site Photos



**Committee of Adjustment**  
Received | Reçu le  
**2024-06-20**  
City of Ottawa | Ville d'Ottawa  
**Comité de dérogation**

# Site Photos



**Committee of Adjustment  
Received | Reçu le**  
**2024-06-20**  
City of Ottawa | Ville d'Ottawa  
Comité de dérogation