



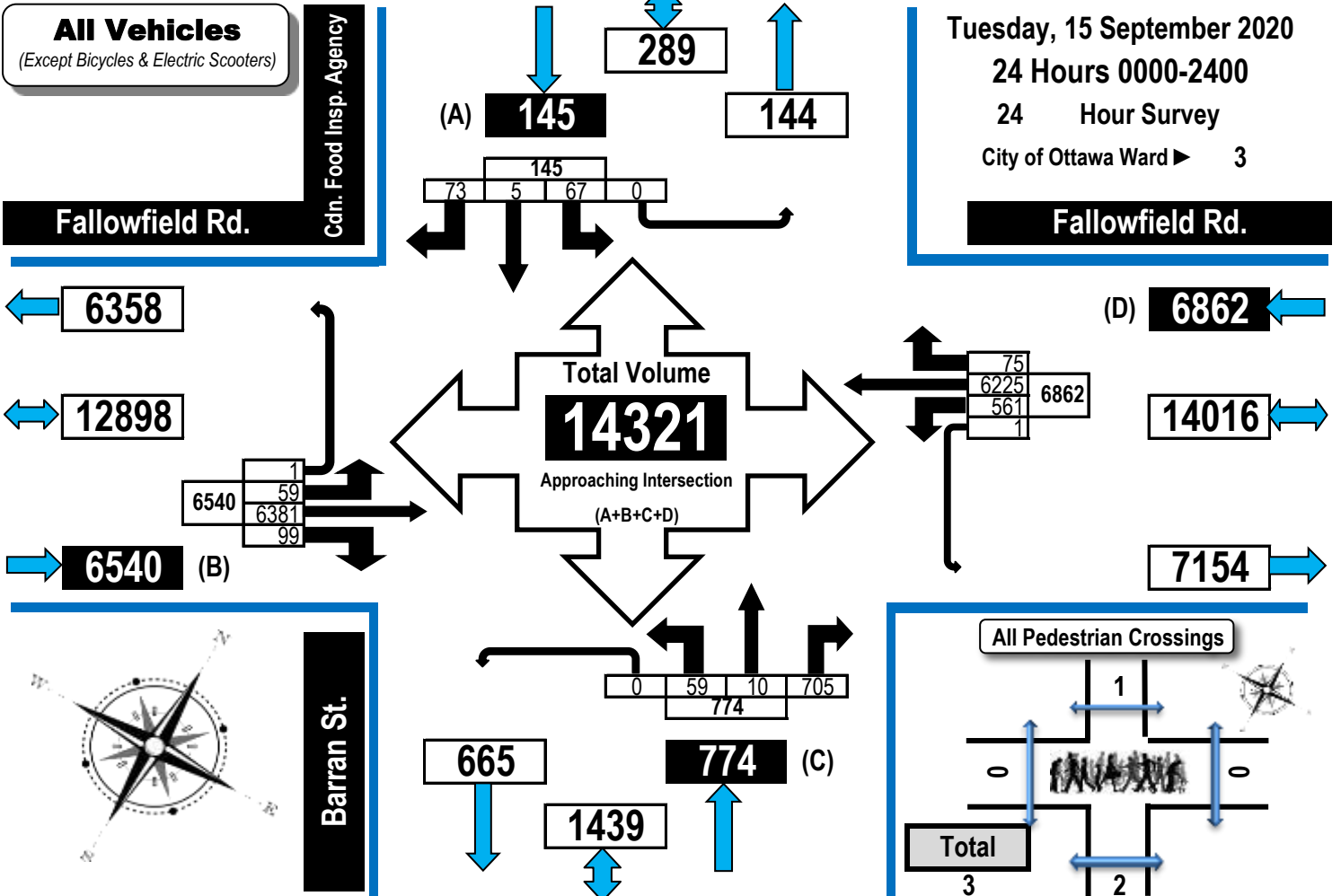
# Turning Movement Count Summary, AM and PM Peak Hour Flow Diagrams

All Vehicles Except Bicycles



## Barran Street & Fallowfield Road

## Nepean, ON



### AM Peak Hour Flow Diagram      PM Peak Hour Flow Diagram

**Summary - AM Peak Hr.**  
Peak Hr. 0730-0830  
Volume 1087  
PHF 0.94

**Summary - PM Peak Hr.**  
Peak Hr. 1615-1715  
Volume 1417  
PHF 0.97